



**Model DYN-MS-20
20 N MS Shaker
Product Manual**

Product Support

If at any time you have questions or problems with the DYN-MS-20 shaker, please contact a Dynalabs engineer at:

Phone: +90 312 266 33 34 (9 a.m. to 5 p.m., UTC +3)

e-mail: info@dynamalabs.com.tr

Warranty

Our products are warranted against defective materials and workmanship for one year. Defects arising from user errors are not covered by the warranty.

Copyright

All copyrights of this manual belonging to Dynalabs products are reserved. It cannot be reproduced without written consent.

Disclaimer

Dynalabs Ltd. provides this publication "as is" without warranty of any kind, express or implied, including but not limited to, the implied warranties of merchantability or fitness for a particular purpose. This document is subject to change without notice, and should not be construed as a commitment or representation by Dynalabs Ltd.

This publication may contain inaccuracies or typographical errors. Dynalabs Ltd. will periodically update the material for inclusion in new editions. Changes and improvements to the product described in this manual may be made at any time.

Table of Contents

| | |
|---|----|
| 1) Introduction | 4 |
| 2) General Information | 4 |
| 2.1) Unpacking and Inspection | 4 |
| 2.2) System Components | 4 |
| 2.3) Theory of Operation | 4 |
| 2.4) Specifications..... | 6 |
| 2.5) Outline Drawing..... | 7 |
| 3) Operation and Installation..... | 8 |
| 3.1) General..... | 8 |
| 3.1.1) External Signal Mode | 8 |
| 3.1.2) Internal Signal Mode | 9 |
| 3.2) Shaker-Structure Interaction (Stingers)..... | 10 |
| 3.3) Shaker Alignment..... | 10 |
| 3.4) Shaker Mounting..... | 11 |
| 3.5) Power Requirements..... | 11 |
| 3.6) Cooling..... | 11 |
| 3.7) Frequency Response | 12 |
| 4) Maintenance and Troubleshooting..... | 12 |
| 5) Safety..... | 12 |
| 5.1) Grounding..... | 13 |
| 6) Declaration of Conformity | 14 |

1) Introduction

The DYN-MS-20 is designed to provide dynamic force excitation for modal testing of mechanical structures.

The DYN-MS-20 is a compact, lightweight and powerful general purpose electrodynamic shaker providing up to 20 N peak sine force.

2) General Information

2.1) Unpacking and Inspection

Dynalabs products provide adequate protection for undamaged products to be transported. Document the damages that occur indirectly during the transport and contact the customer representative. Check all components of the shaker. If there is a defect, please contact us.

2.2) System Components

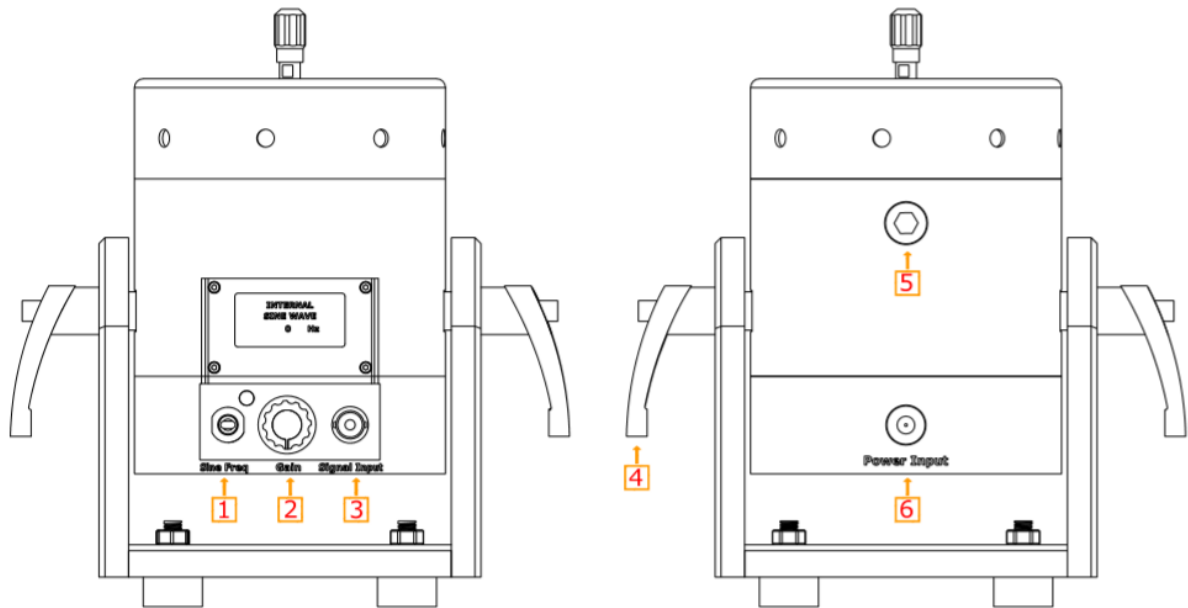
The DYN-MS-20 has the following components:

- Electrodynamic Shaker
- Power Adapter
- Stinger Set
- Signal Cable
- R 1/8 Pneumatic Union
- User Manual

2.3) Theory of Operation

DYN-MS-20 is an electro-magnetic actuator. Electro-magnetic actuators are basically voice coils consisting of a permanent magnet and coil. The moving element can be the coil or the magnet depending on the design requirements. The moving element is usually suspended by an elastic membrane.

DYN-MS-20 has a moving coil (driving coil) whose current is controlled for vibration generation. The stationary magnetic field is produced by a permanent magnet.



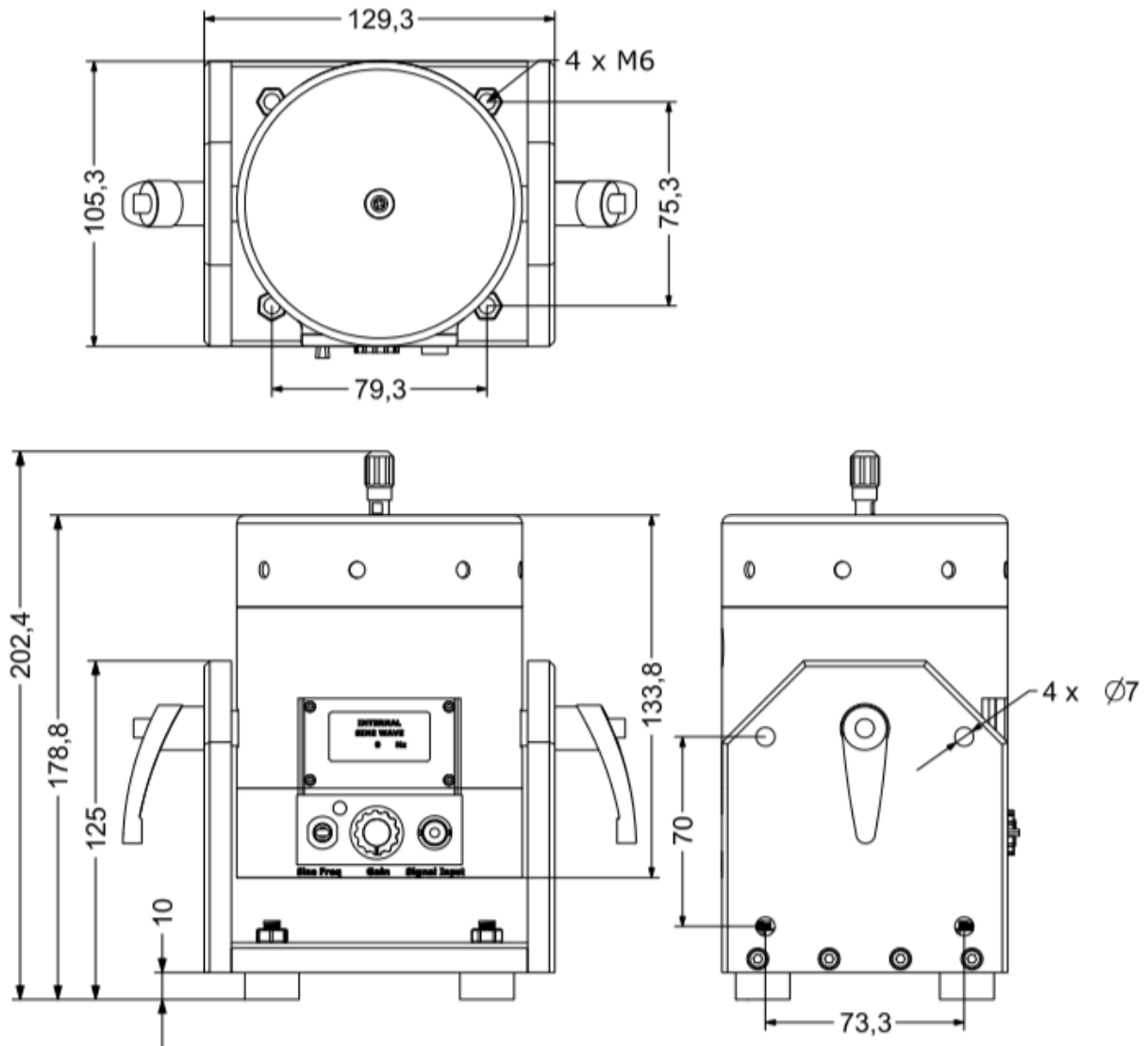
| Item | Description |
|------|--------------------------|
| 1 | Sine Frequency Generator |
| 2 | Gain Knob |
| 3 | External Signal Input |
| 4 | Trunnion Handle |
| 5 | Cooling Port |
| 6 | DC Power Input |

2.4) Specifications

| Parameters | Specifications |
|-------------------------------|---|
| Output Force (Sinus) | 20 N |
| Frequency | 0-12 kHz |
| Displacement (Peak to Peak) | 5 mm |
| Suspension | Spring |
| Maximum Acceleration | 40 g |
| Shaker Weight | 4.1 kg |
| Cooling System | Natural Convection (For continuous operation at 20N forced cooling is suggested) |
| Operating Temperature Range | 5-35 °C |
| Maximum Input Current | 4A (RMS) |
| AMPLIFIER | INTERNAL |
| External Signal Voltage Level | 1 VAC (PEAK) |
| Power Supply Voltage | 19V DC |
| Power Supply Current | 4.74A |

2.5) Outline Drawing

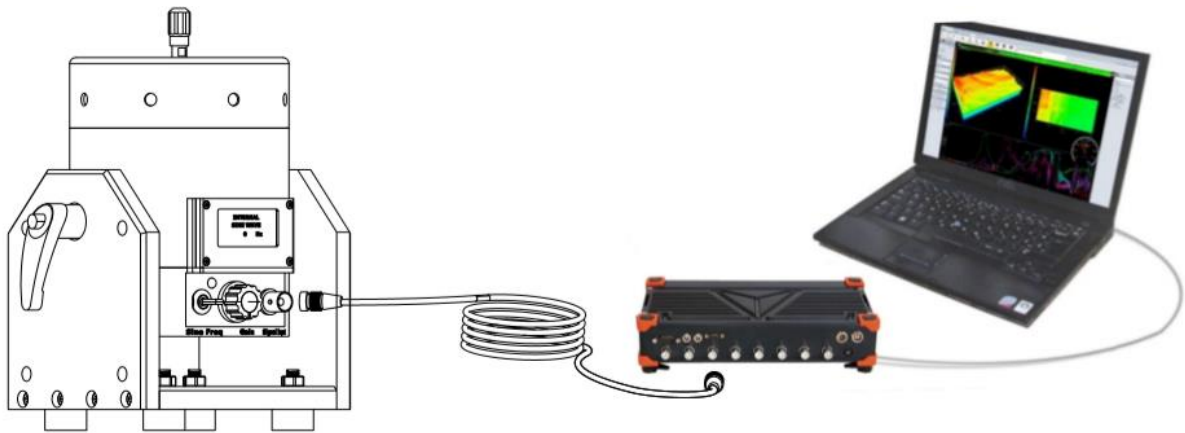
The dimensional properties of DYN-MS-20 shakers are given below.



3) Operation and Installation

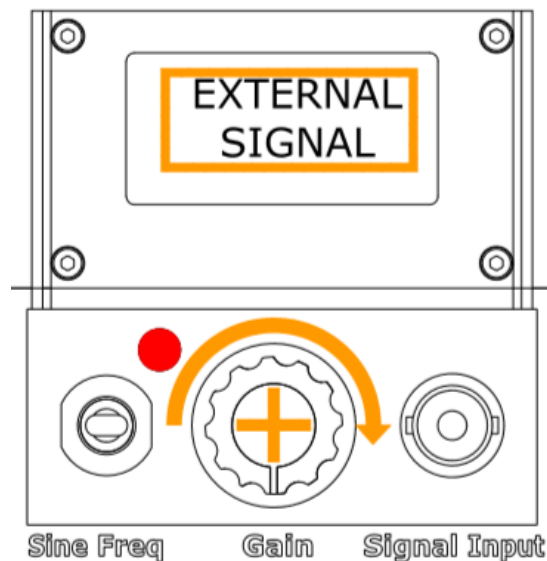
3.1) General

Refer to the figure below that shows the shaker connector configuration. Connect the shaker/amplifier cable to the shaker and amplifier. Connect the drive signal cable to the signal generator and connect the power cable of the amplifier. Then turn on the amplifier by pushing the on/off button. To increase gain up, turn the gain knob in clockwise direction. The user must turn off the gain button in order to power down the shaker.



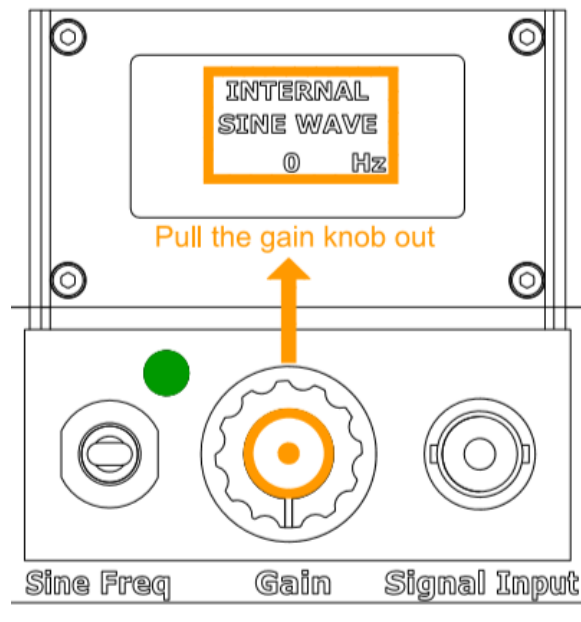
3.1.1) External Signal Mode

Connect DC power source and drive signal to shaker power input and signal input respectively. Start the external signal source. Adjust the Gain of the amplifier by turning the Gain Knob clockwise.

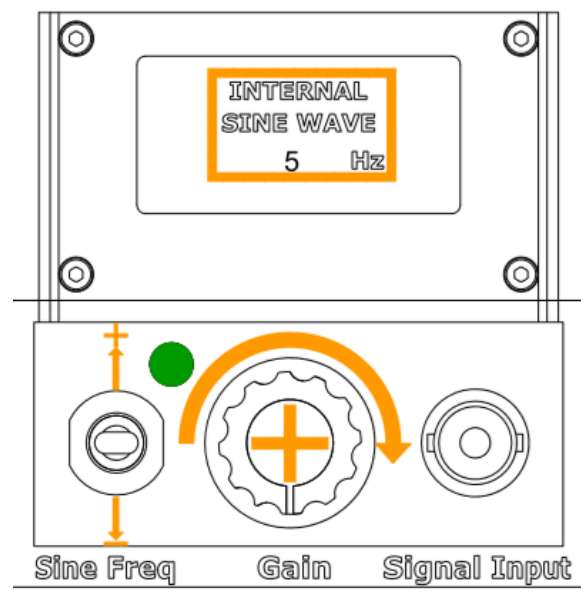


3.1.2) Internal Signal Mode

The amplifier can generate sine signal from 1Hz to 15 kHz with 1 Hz increments that the user can adjust with the Sine Frequency Generator Switch. Connect DC power source and drive signal to shaker power input. Pull the Gain Knob out.

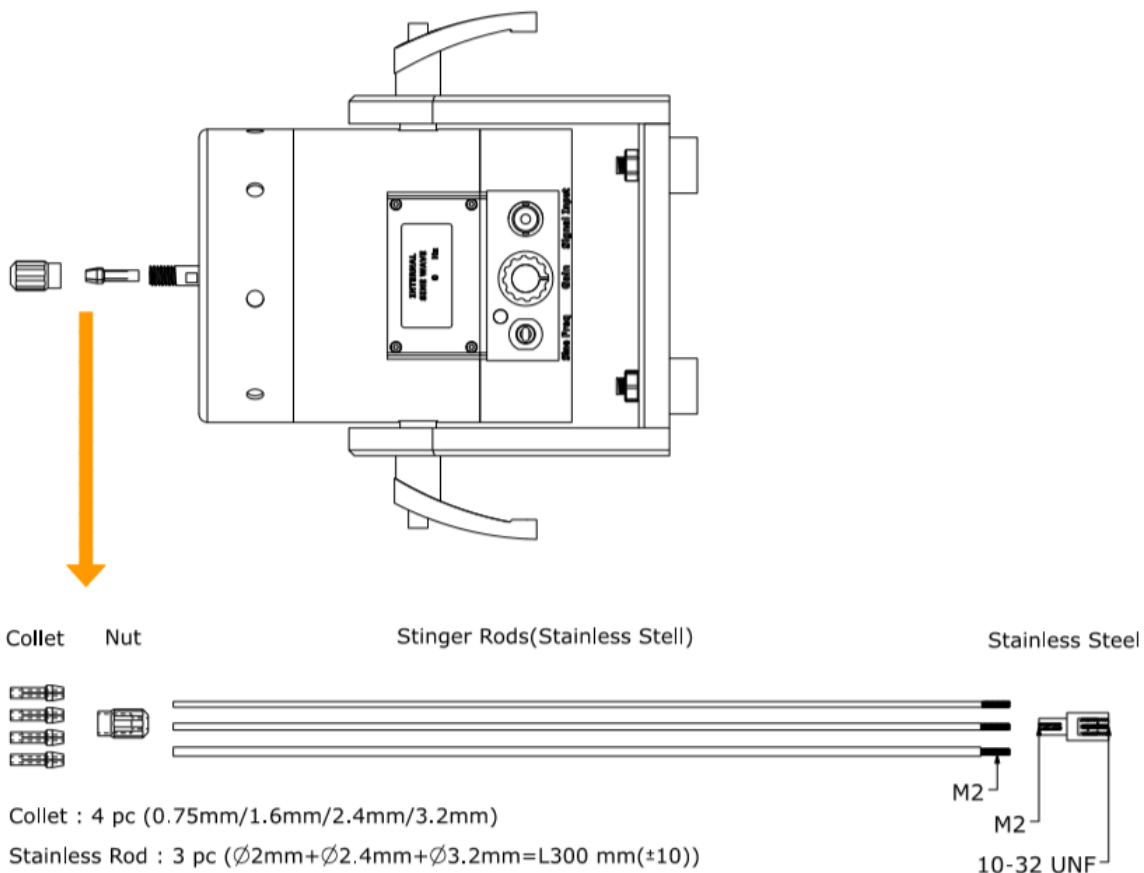


Raise or lower the Sine Frequency Generator Switch to the desired Sine frequency. Adjust the Gain of the amplifier by turning the Gain Knob clockwise. The frequency of the generated sine signal will be visible on the LCD Screen.



3.2) Shaker-Structure Interaction (Stingers)

Stingers used in modal shakers are thin rods with a specific length yielding low lateral and high axial stiffness. The high axial stiffness is necessary to transmit the shaker force directly to the test structure with high efficiency whereas the low lateral stiffness is necessary for protecting the shaker from moment loads and to minimize shaker alignment issues. The stingers are mounted on the shaker via a chuck. Force or impedance head sensors can be mounted on the other side. The Dynalabs modal shakers stinger sets include 4 collet, 1 nut and 3 stinger rod sizes. The chuck consists of two pieces. The collet squeezes the stinger with the tightening effect of the nut. Choose a collet size as close to your stinger diameter as possible.



3.3) Shaker Alignment

Shaker alignment is a very important step of modal testing. Poor alignment can cause force components in unmeasured directions and can even damage the shaker. In order to overcome this problem, the trunnion can be adjusted for proper alignment. Furthermore, the tip of the stinger can be removed during the alignment process in order to reduce the free end deflection as shown above.

3.4) Shaker Mounting

The shaker is designed to rest on its rubber isolators. However, these isolators can be removed for rigid or semi-rigid mounting. If it is not possible to bolt down the shaker, hot glue is also a good mounting option.

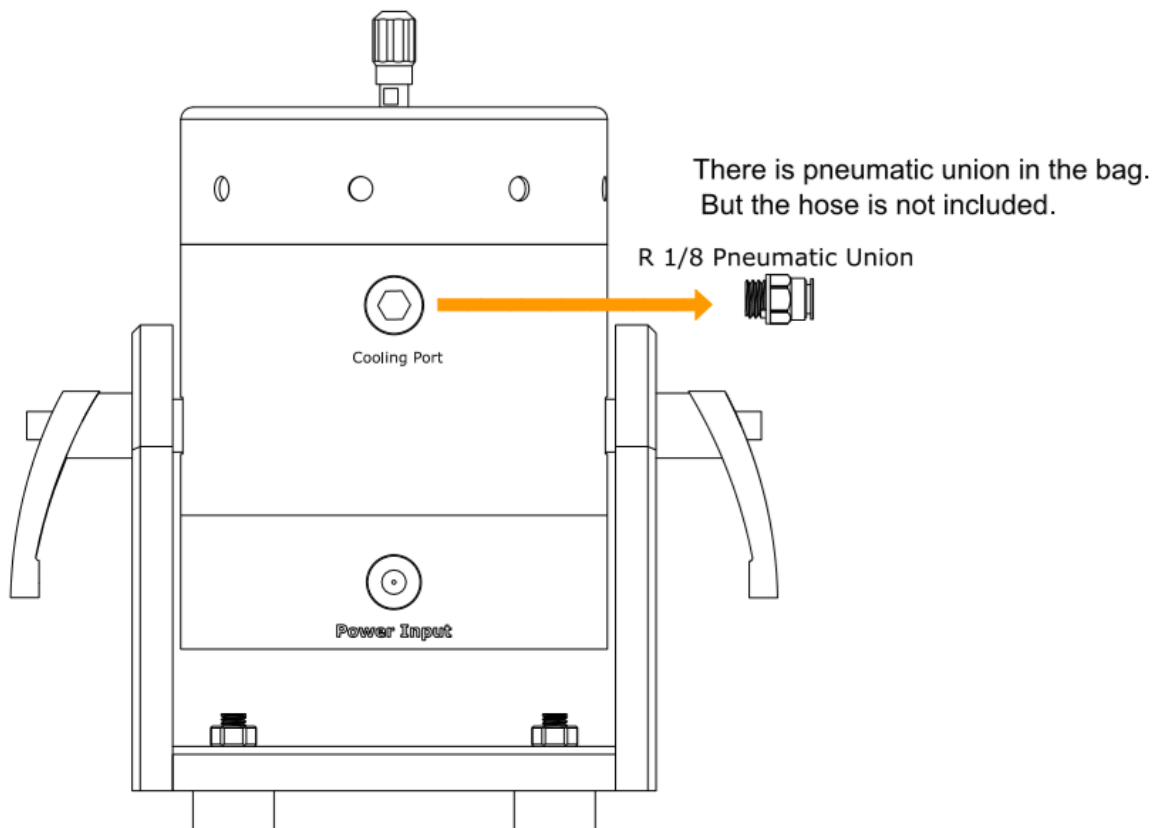
The shaker can also be suspended by elastic bungee cords for lateral testing. Additional inertial weight may be attached to the bottom of the shaker using hot glue.

3.5) Power Requirements

DYN-MS-20 has an integrated power amplifier which is powered by its power adaptor. Please note the output voltage and current ratings of the adaptor in a replacement adaptor is to be used.

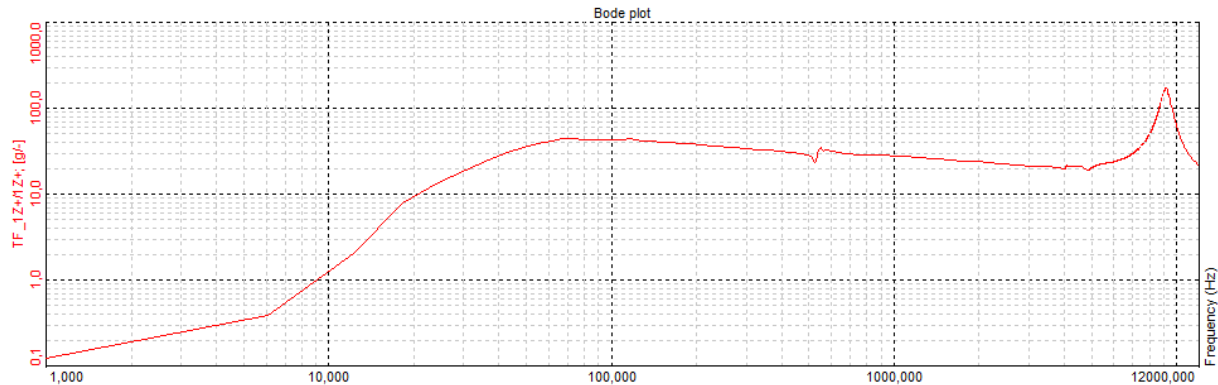
3.6) Cooling

DYN-MS-20 does not require forced cooling. Air convection cooling is sufficient for the force levels given in the specifications.



3.7) Frequency Response

The following figure shows the Input voltage normalized acceleration levels versus frequency of the shaker



4) Maintenance and Troubleshooting

The DYN-MS-20 shaker is a sealed device requiring no maintenance if the operating instructions described in this manual are followed. Repair of damage to the coil, exciter body or magnet core should not be attempted. Please return the shaker to Dynalabs for proper repair.

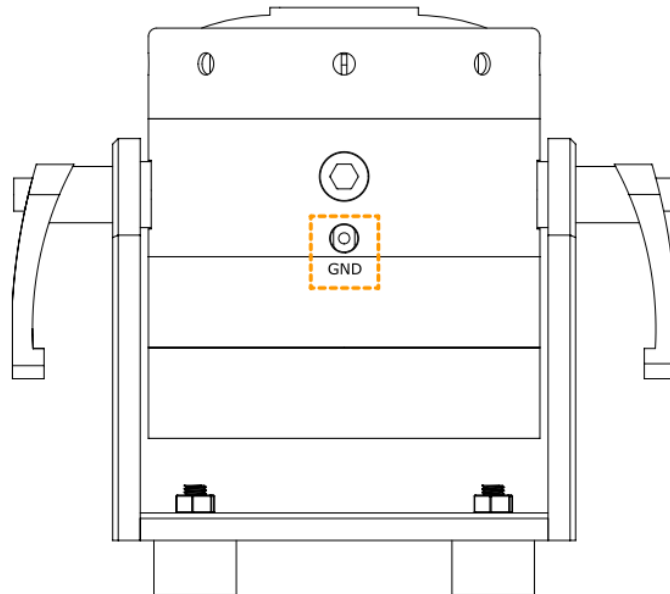
5) Safety

Please ensure that this manual section is reviewed and understood prior to installation, operation or maintenance of the equipment. The danger of electrical shock or fire always exists in electrical equipment.

The DYN-MS-20 Shaker is designed for safe operation. Safety features such as electrical insulation on outer surfaces are provided for the safe operation of the shaker system.

5.1) Grounding

The shaker is internally grounded via the power adapter. However, if further grounding is necessary a grounding socket is available on the shaker as shown. Appropriate grounding cable is also supplied with the shaker.



6) Declaration of Conformity

DynaLabs



*This declaration of conformity is issued under the sole responsibility of the manufacturer.
The product(s) are developed, produced and tested according to following EC- directives:*

- 2014/35/EU – Low Voltage Directive (LVD)
- 2006/42/EU – Machinery Safety Directive
- 2015/863/EU – RoHS Directive

Applied standards:

- EN 61010-1:2010
- EN ISO 12100:2010
- MIL-STD-810-H-2019 (Test Methods: 501.7 - High Temperature, 502.7 - Low Temperature, 514.8 - Vibration, 516.8 – Shock)

*DYNALABSMÜHENDİSLİK SANAYİ TİCARET LİMİTED ŞİRKETİ declares
that above mentioned products meet all the requirements of the above mentioned
standards and regulations.*

Murat Aykan, Technical Manager

Ankara, 15.07.2021