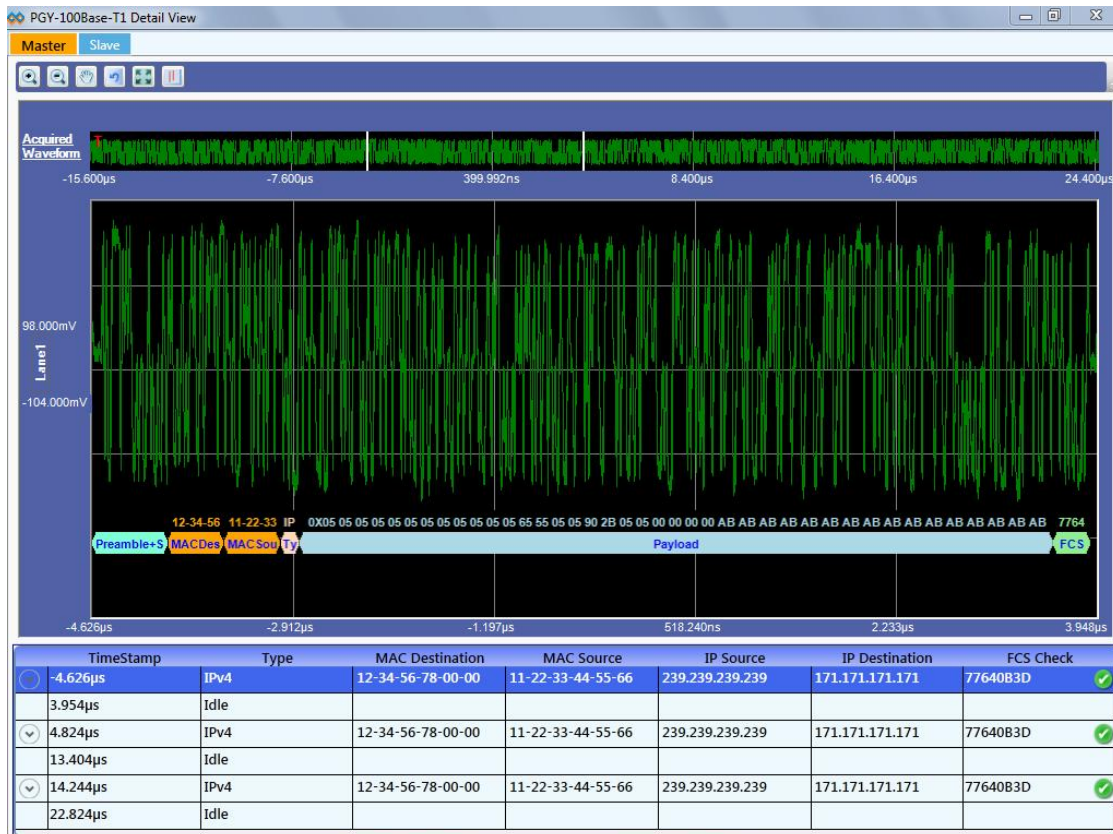


PGY-100BaseT1 Automotive Ethernet

Protocol Decode Software

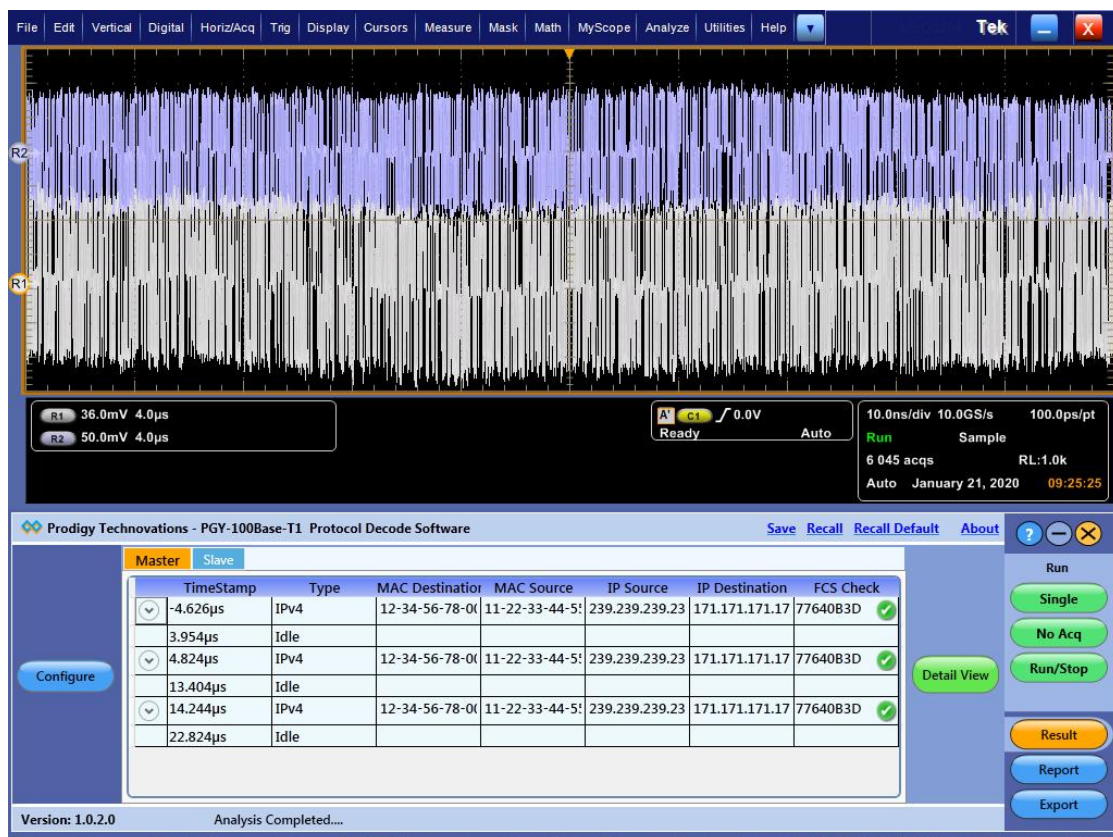


Detail View

100BASE-T1 Automotive Ethernet Protocol Decode Software offers protocol decoding as specified in the 100BASE-T1 Automotive Ethernet specification. PGY-100BASE-T1 Automotive Ethernet Protocol decode software runs in Tektronix Oscilloscope and provides measurements for protocol decode at the click of a button. This allows engineers to quickly check for 100BASE-T1 Automotive Ethernet compliance and flexibility to debug the failure. In addition to this, engineers can decode the command and response of 100BASE-T1 Automotive Ethernet to debug the communication. PGY-100BASE-T1 Automotive Ethernet takes advantage of the digital channels of MSO and provides the decoding of 100BASE-T1 Automotive Ethernet data lines. Users can now feed the output of the directional coupler to Tektronix Oscilloscope for time-domain view. PGY-100BaseT1 protocol decode software runs in Tektronix Oscilloscope, easily decodes PAM3 encoded 100BaseT1 signal. This enables the engineers to quickly understand the protocol activity between the Master and Slave ECU.

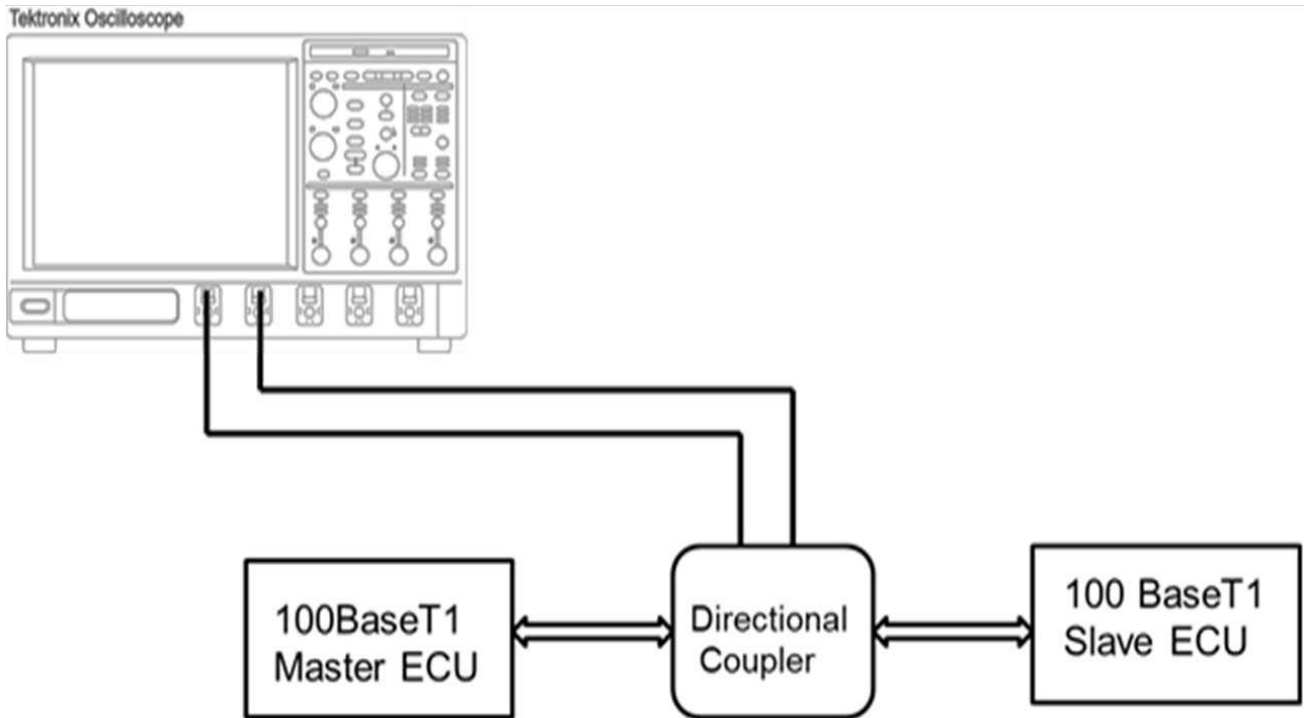
Key Features

- ✦ Decodes the PAM3 encoded 100BaseT1 signals.
- ✦ Decodes Send_N mode packets without any training sequence.
- ✦ Validated FCS and reported error packets in red color.
- ✦ Display the time stamp, packet type, IP source and destination address, and decoding of the payload.
- ✦ Detail view correlates the decoded packets with waveform using Bus Diagram.
- ✦ Separately display the Master and Slave packets.
- ✦ Export the decoded data CSV or TXT file format.
- ✦ Report Generation.



Detail view correlates waveform

The solution helps in debugging the protocol layer issues and correlating them to the physical layer resulting reduction in debugging time.



Typical 100BaseT1 Protocol Decode test setup

Tektronix Oscilloscopes Supported

- DPO/MSO5000 series
- DPO7000 series
- DPO/MSO/DSA 70000 series
- MSO5 series, MSO6 series

with bandwidth 500MHz and above and standard RL.

All need to be windows 7 or higher OS based

Probes: Standard probes

Accessories: Needs a directional coupler which can handle 100Base-T1 signals.



Ordering Information:

PGY-100BaseT1 100BaseT1 Protocol Decode Software
(shipment includes CD with PGY-100BaseT1 Protocol Decode Software)

Contact Information



+91-80-42126100



contact@prodigytechno.com



www.prodigytechno.com



Prodigy Technovations Pvt. Ltd.

294, 3rd Floor, 7th Cross,
7th Main BTM II Stage,
Bangalore 560076.
Karnataka, India.

About Prodigy Technovations Pvt Ltd

Prodigy Technovations Pvt Ltd (www.prodigytechno.com) is a leading global technology provider of Protocol Decode, and Physical layer testing solutions on test and measurement equipment. The company's ongoing efforts include successful implementation of innovative and comprehensive protocol decode and physical layer testing solutions that span the serial data, telecommunications, automotive, and defense electronics sectors worldwide.